

Acorn Furniture



Product Sheet

Cindy Round Dining Table



Cindy Round Dining Table

Our Cindy Round Dining Table is characterised by a balance between clean lines, timeless details and practicality. Cindy offers enduring style and is a popular choice for a range of environments from Agedcare and Retirement to Residential. With tapered legs, Cindy is available in a range of sizes and finishes.



Made to order



Sustainable timber



Size options



7 year warranty

Dimensions

1050dia x 750H

1200dia x 750H

Specifications

- Solid timber construction, polished in a durable matte commercial lacquer
- Tapered inside faces of legs
- Negative detailing around the top
- Optional melamine top
- Some assembly required - legs simply bolt to table top

Environment

Indoor

Preassembled

Yes

Cleaning care

Please refer to our website for care & cleaning instructions.

Made to order

Made to order in Motueka, New Zealand by Acorn Furniture.



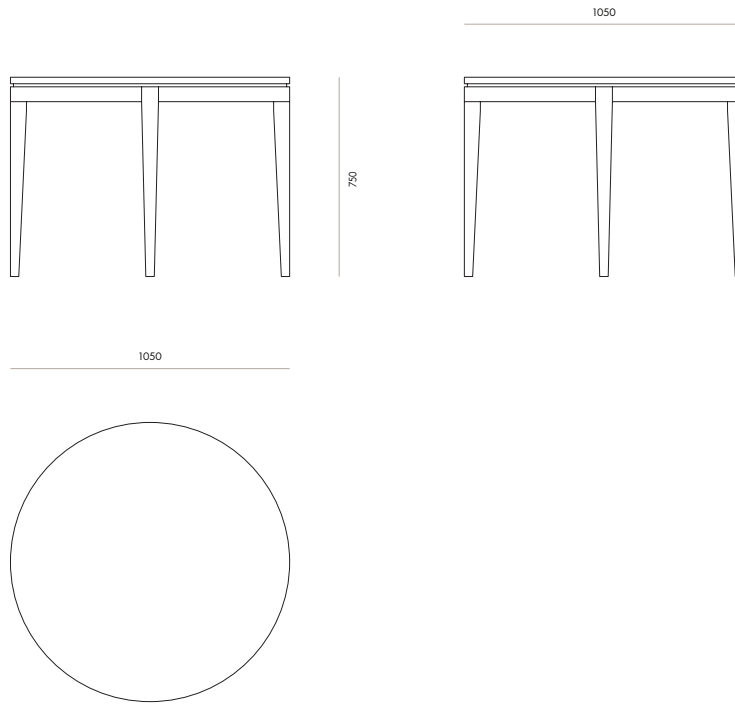
Cindy Round Dining Table

Variants

Cindy Round Dining Table

Code

#1018



Cindy Round Dining Table

Code

#6000

